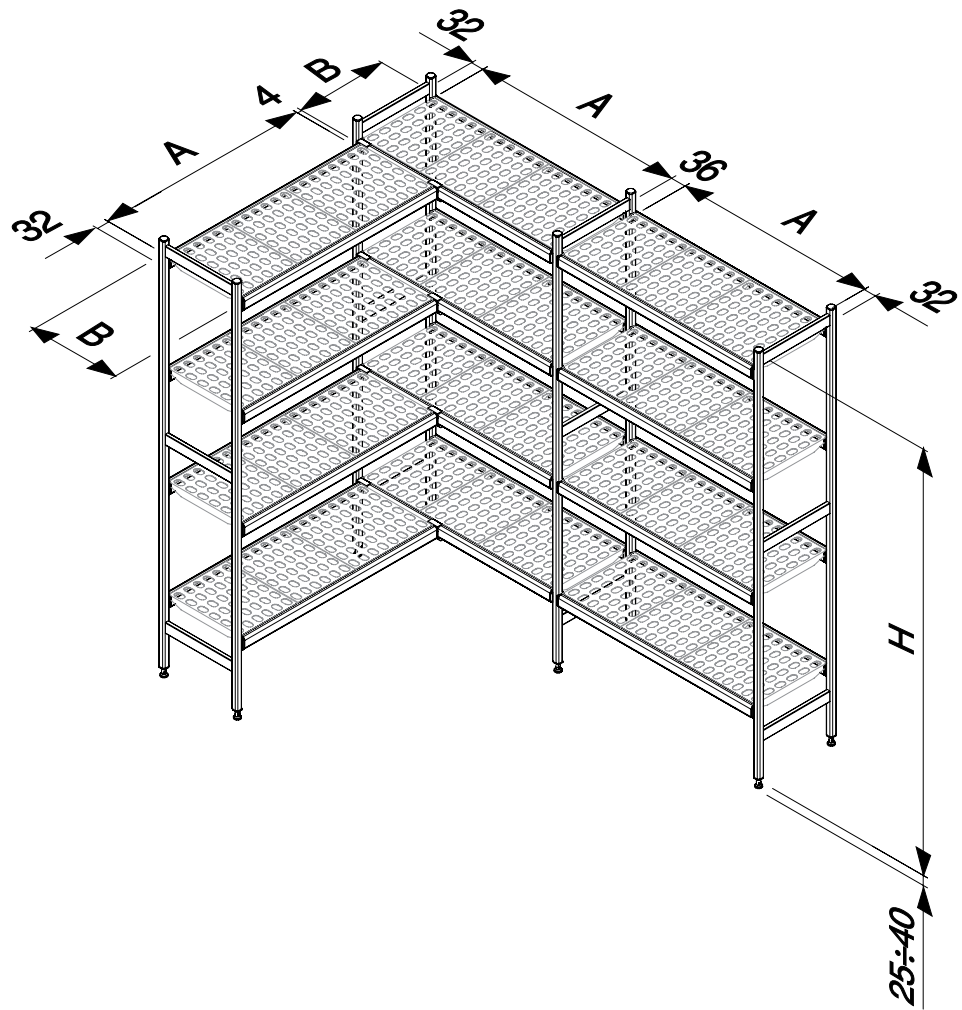


Technical specifications

(values given in mm)

- 📦:** Max. load capacity
- A:** Shelf length
- B:** Width
- H:** Height
- N°:** Max. number of shelves



📦 (Kg)	A (mm)	B (mm)	H (mm)	N°
260	532	373	1550	3 ÷ 13
250	620			
240	708			
230	798			
220	886			
210	974			
190	1062			
170	1152			
150	1240			
140	1330			
120	1505			
110	1682			
100	1770			
90	1858			
80	1946			

Optional



Locking and non-locking swivel castor ø 100 mm



Stainless steel bar ø15 mm for hanging cold meats



Retaining bar



Separator



Label